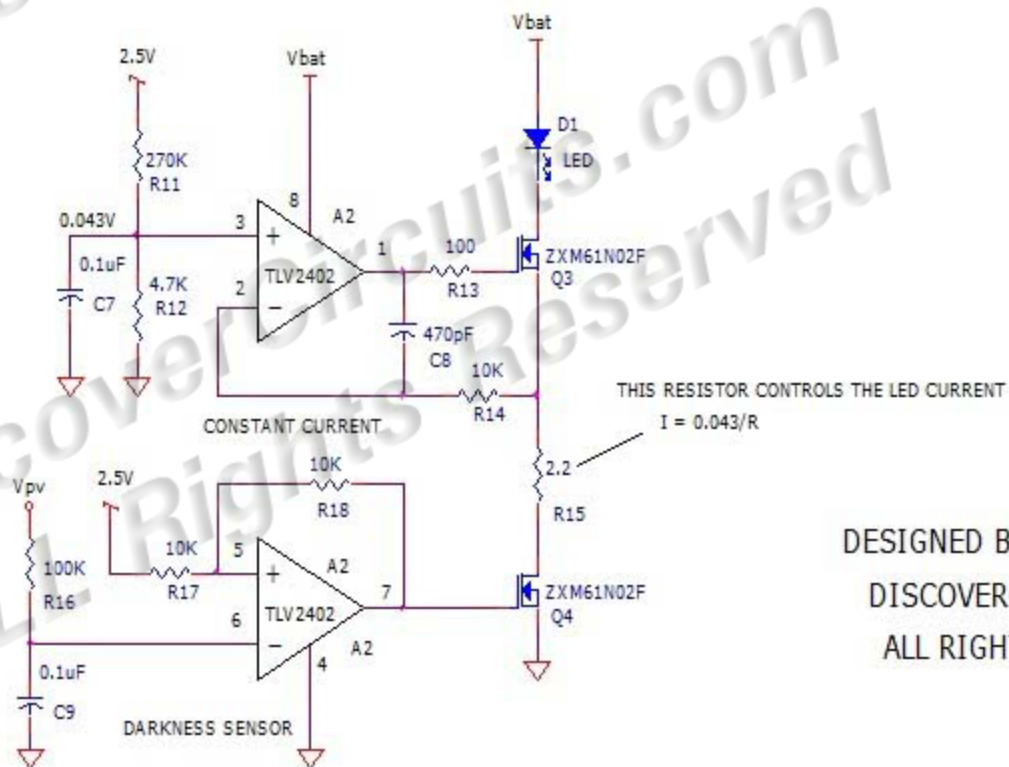
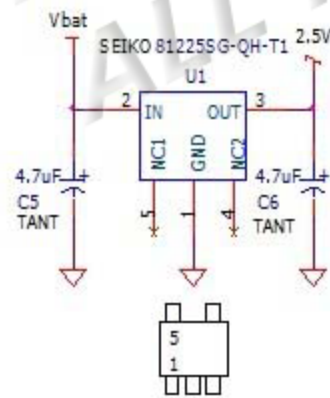


VOLT REG CURRENT DRAIN = 1uA



DESIGNED BY DAVE JOHNSON
 DISCOVERCIRCUITS.COM
 ALL RIGHTS RESERVED

DRAWN BY: DAVE JOHNSON

| | | |
|-------------------------------|--------------------------|--------------|
| Title | | |
| IMPROVED SOLAR LED PATH LIGHT | | |
| Size | Document Number | Rev |
| B | PATHLIGHT 2.DSN | A |
| Date: | Saturday, March 12, 2011 | Sheet 1 of 1 |